



Kirby Morgan Dive Systems, Inc.®

1430 Jason Way Santa Maria, California 93455

Phone: 805/928-7772 Fax: 805/928-0342

www.KirbyMorgan.com email: kmdsi@KirbyMorgan.com

Part # 425-099

Conversion Kit, Comm for “No Comm” KMACS 5

Tools Needed: Phillips Head Screwdriver

The following two parts are required for installation and are included within the 405-004.

Loc. #	Part #	Description	Qty
1	530-035	Screw	12
2	430-075	Flat Washer	12

Parts Included in Kit:

Loc. #	Part #	Description	Qty
N/A	100-401	User Guide, MK3-KMDSI Communicator	1
3	405-004	KMACS 5 Communications Panel	1
4	430-155	Screw	12
5	440-100	Short Panel Mount Angle	2
6	440-105	Long Panel Mount Angle	2
	510-613	H.C. Foam Neck	0.5

Installation Instructions

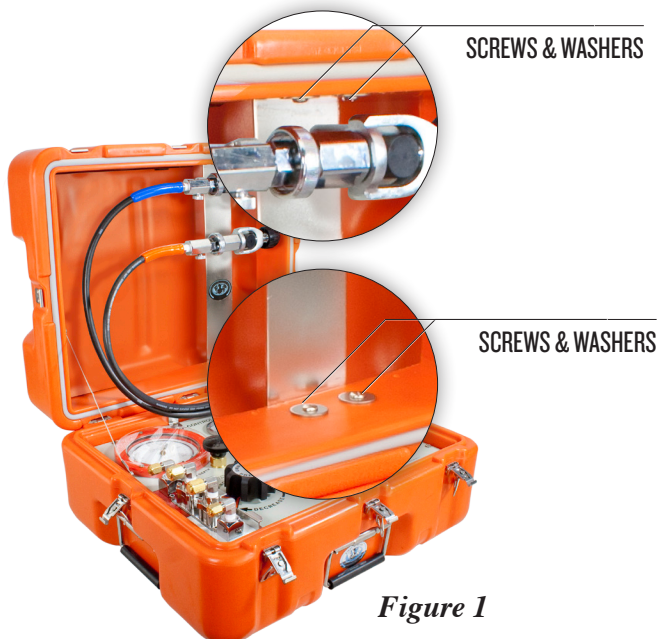


Figure 1

1. Remove the bracket on the KMACS 5 by removing the four screws and washers that hold it in place. See figure 1.
2. Install all four of the Panel Mount Angles using the P/N 430-155 screws.
3. Insert the H.C. Foam into the lower right corner of the upper lid on the KMACS 5 box. This foam pad is used to support the battery when the lid is open and the KMACS 5 is in operation.

Kirby Morgan Dive Systems, Inc.®

1430 Jason Way Santa Maria, California 93455

Phone: 805/928-7772 Fax: 805/928-0342

www.KirbyMorgan.com email: kmddsi@KirbyMorgan.com



4. When placing the panel into the KMACS 5, line up the holes in the Panel Mount Angles to match the 12 holes on the communications panel. Place one washer P/N 430-075 on each screw P/N 530-035 and begin to secure the communications panel to the Panel Mount Angles. Tighten screws in a staggered star pattern, only marginally until all screws are threaded into each hole. Finish installation by completely tightening all 12 screws. *See figure 2.*

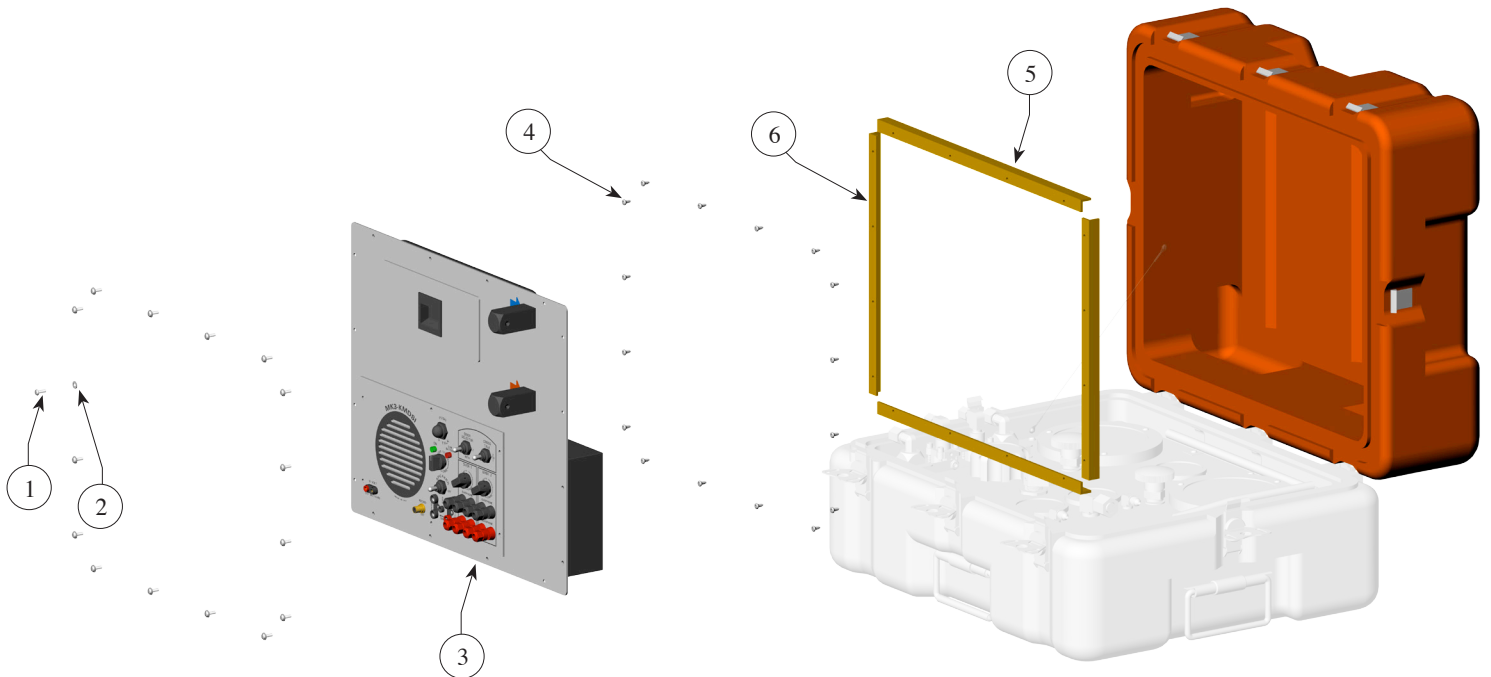


Figure 2

⚠ CAUTION

Use only KMDSI original replacement parts. The use of other manufacturers' parts will interfere with the performance characteristics of your life support equipment and may jeopardize your safety. Additionally, any substitutions will void any warranties offered by KMDSI. When ordering spares, always insist on Kirby Morgan Genuine Parts.