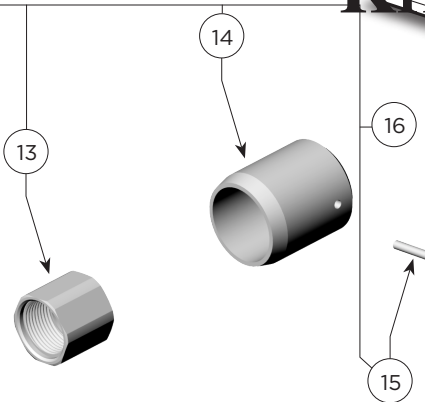
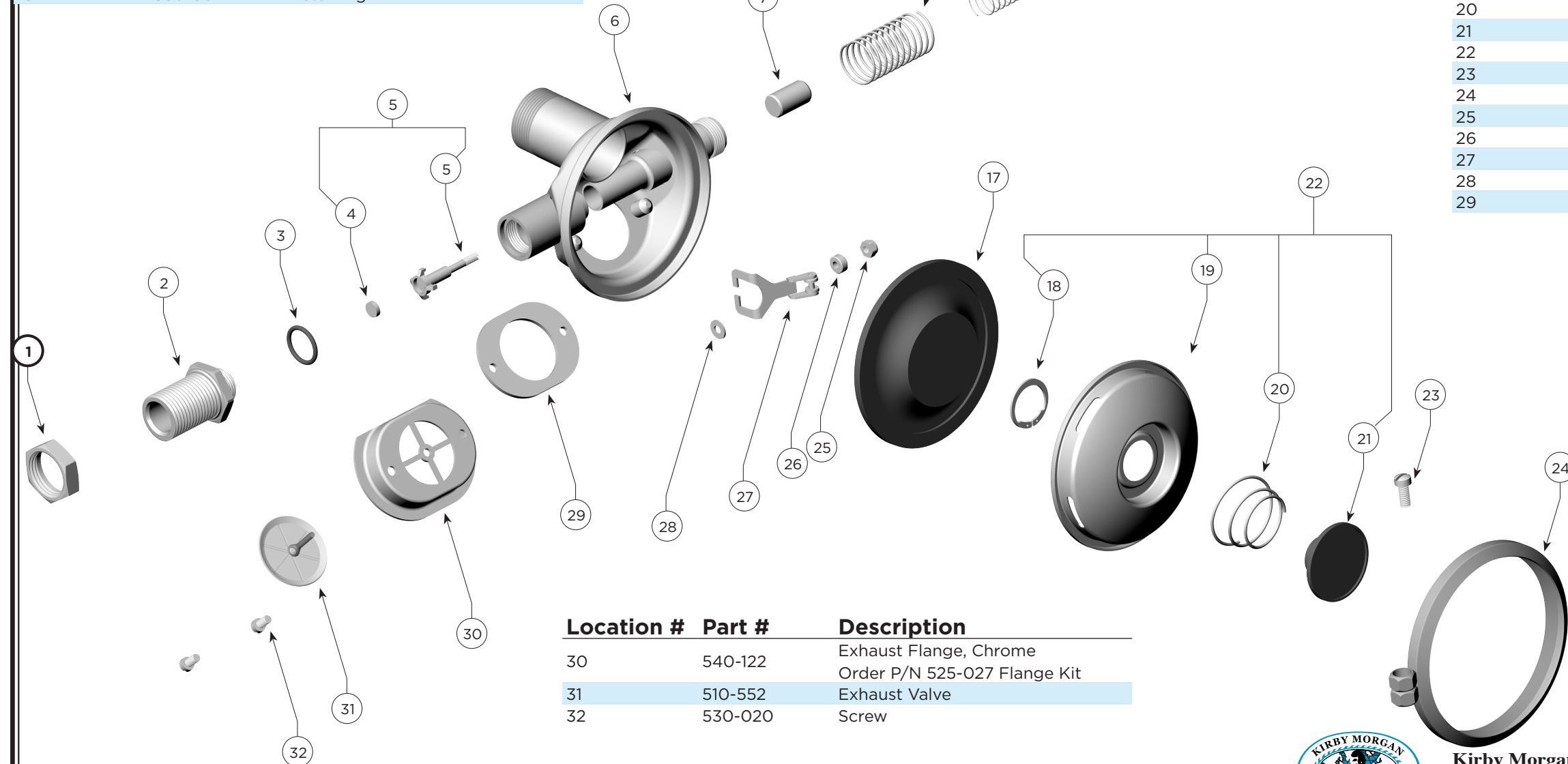


**SuperFlow[®] 350 Regulator Assembly P/N 505-069
 (Order P/N 525-771)**

Location #	Part #	Description
1	550-050	Jam Nut
2	550-048	Inlet Nipple
3	510-014	O-ring
4	510-580	Inlet Valve Seat
5	545-026	Inlet Valve
6	545-080	Regulator Body
7	550-060	Piston
8	535-807	Spring Set
9	550-059	Spacer
10	550-057	Shaft
11	520-032	Washer
12	510-011	O-ring
13	550-055	Packing Nut
14	550-053	Knob, Adjustment
15	530-601	Retaining Pin



Location #	Part #	Description
16	505-028	Regulator Adjustment Knob Assembly
17	510-553	Diaphragm
18	535-905	Retaining Clip
19	540-055	Cover Only, Regulator, Metal
20	535-810	Spring, Purge Button
21	520-017	Purge Button
22	545-018	Cover Assembly
23	530-030	Screw
24	545-020	Clamp
25	530-303	Nut, Lock
26	550-052	Spacer
27	545-038	Roller Lever Arm Assembly
28	530-506	Washer
29	510-401	Gasket



Location #	Part #	Description
30	540-122	Exhaust Flange, Chrome Order P/N 525-027 Flange Kit
31	510-552	Exhaust Valve
32	530-020	Screw



Kirby Morgan Dive Systems, Inc.[®] 1430 Jason Way, Santa Maria, CA 93455
 Phone: 805/928-7772 Fax: 805/928-0342
www.KirbyMorgan.com e-mail: kmsdi@KirbyMorgan.com